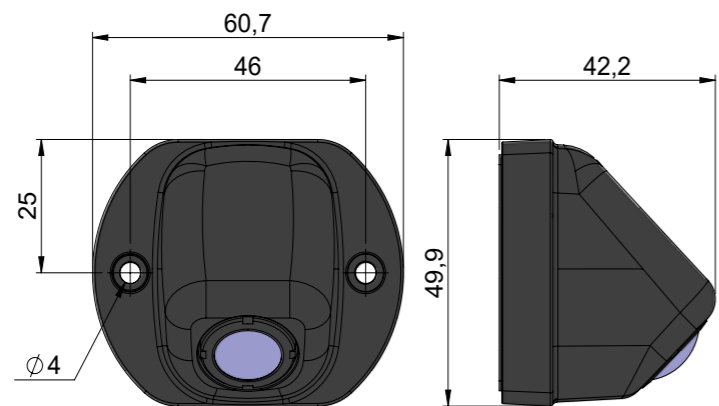


Dimensions (mm) including housing



Housing colors: black, silver



Camera without housing

**Motec GmbH**  
Oberweyerer Straße 21  
65589 Hadamar  
GERMANY

Phone +49 6433-9145 0  
motec.info@ametek.com  
www.motec-cameras.com



# MCT7180-34-MH2

HEAVY-DUTY TVI WIDE ANGLE CAMERA

# MCT7180-34-MH2

## TVI WIDE ANGLE CAMERA

The MCT7180-34-MH2 is an HD-TVI wide-angle camera for heavy-duty 270°/360° surround view applications. The 190° angle of view and the small design allow it to be adapted to a wide variety of vehicles and visibility problems. The TVI camera is also ideally suited for heavy-duty use as a stand-alone camera thanks to its high-pressure cleaner-proof housing.



### Key facts

- TVI HD Resolution (1270 x 720 pixels)
- Video transmission with 30 fps
- HDR sensor (High dynamic range)
- 190° horizontal view angle
- Pressure washer-proof (IP69K)
- Wide Dynamic Range Function
- Optional: housing in silver and black available

### Standards/certificates/quality seals

- CE,
- FCC
- UK-CA
- E-mark
- RoHS

### Order example

What you need to order 4 black cameras for the 360° panoramic view system

4 x	404 0000 103
4 x	813 0000 002
1 x	406 0000 013

### Scope of delivery

MCT7180-34-MH2	404 0000103
<b>OPTIONAL:</b>	
GMCT7180-0 silver housing	813 0000 001
MCT7000-Screw set-1, bolts silver	406 0000 012
GMTC7180-1 black housing	813 0000 002
MCT7000-Screw set-2, bolts black	406 0000 013

### Technical data

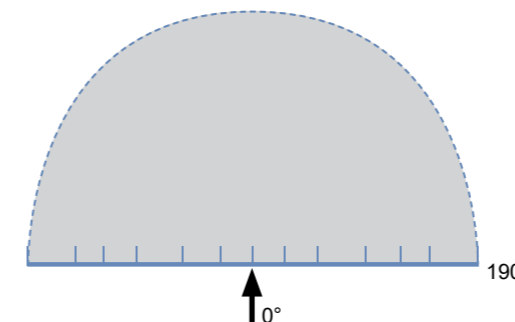
- **Image sensor**  
1.26 megapixel CMOS Automotive Image Sensor with many intelligent functions, including wide dynamic range
- **Resolution**  
1280 x 720 pixels
- **Optical Format**  
1/4 inch CIS
- **Pixel Size**  
2.8 µm x 2.8 µm
- **Dynamic Range**  
100 dB
- **Video Output Time**  
Less than 0.5 sec.
- **Output**  
TVI Differential
- **Visualisation**  
190° horizontal view angle, equal to 119° vertical view angle
- **Light sensitivity**  
1 Lux
- **Frame rate**  
30 fps
- **Aperture**  
2.0
- **Power supply**  
5 V DC
- **Power consumption**  
Max. 220 mA
- **Housing protection class**  
Pressure washer-proof (IP69K) in accordance with ISO 20653 and IEC 60529
- **Housing**  
Housing available in silver and black
- **Operating temperature**  
-30 °C...+75 °C
- **Storage temperature**  
-40 °C...+85 °C
- **Connection cable**  
1000 mm
- **Weight**  
Ca. 0.92 kg with housing

### Note:

Camera should only be used with MVCT1104 ECU. Power supply above 5 volts will damage camera.

### Horizontal view angle

Schematic diagram



Angle of view	
horizontal	vertical
190°	119°